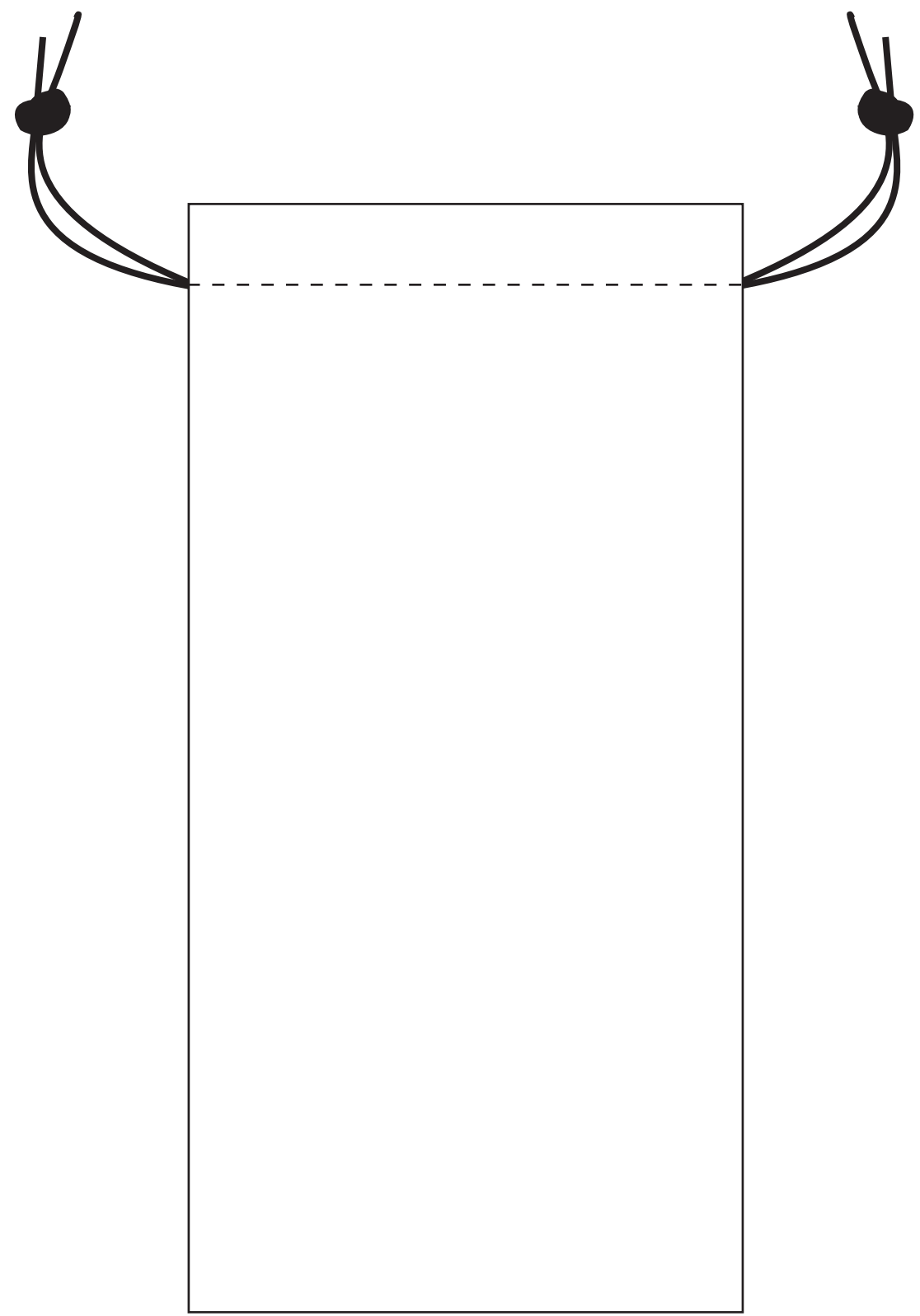
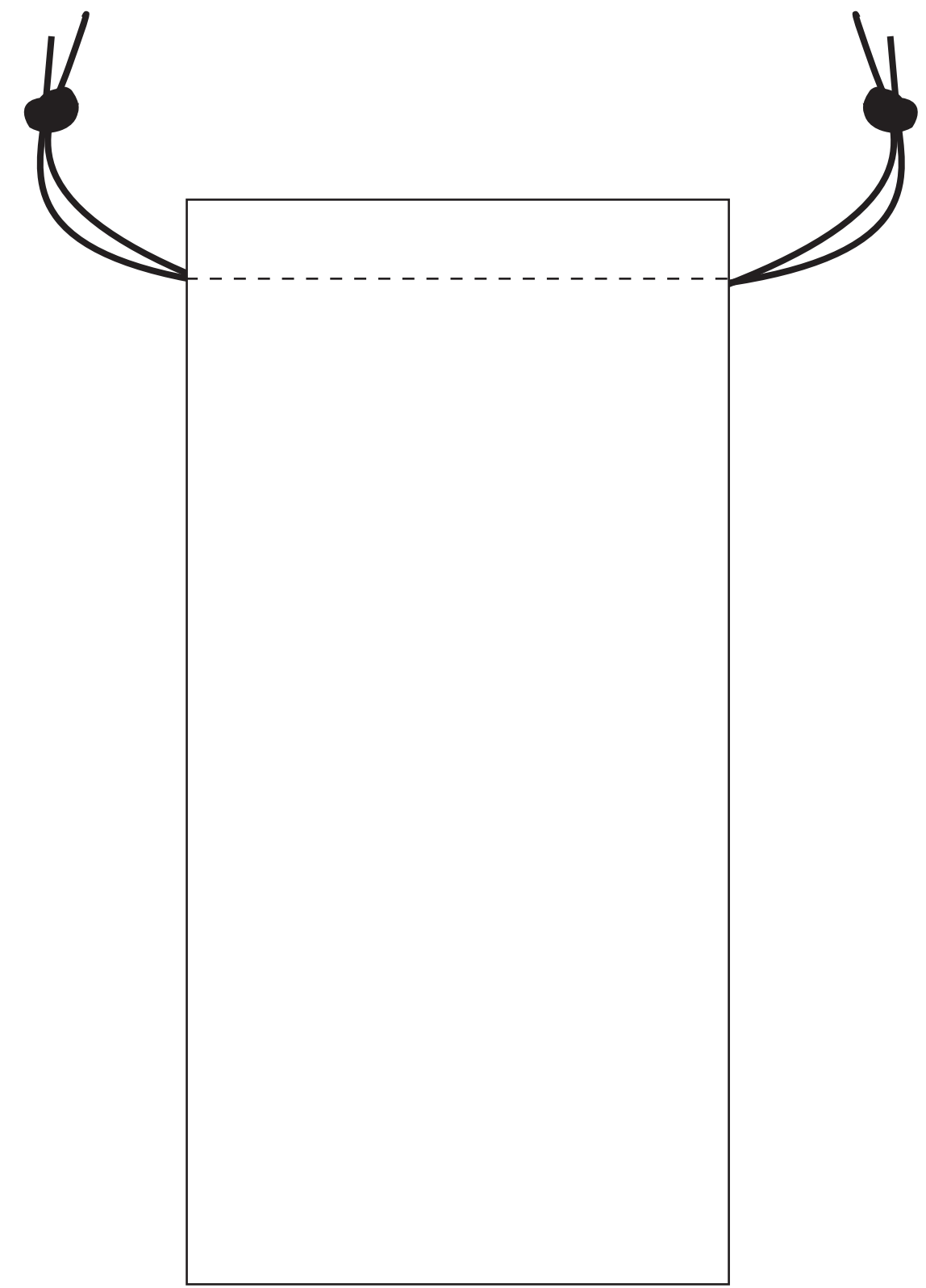


ORDER #
PO #
MICROFIBER GLASSES POUCH
#POU-600
ITEM SIZE: 3.5" X 7"
IMPRINT AREA: FULL COVERAGE

IMPRINT COLORS:



SIDE 1



SIDE 2