

ORDER #
PO #
CUSTOM BUCKET HATS

#BUC-500
MATERIAL: 100% POLYESTER TWILL
IMPRINT METHOD: DYE SUBLIMATION
SIZE: APPROXIMATELY 23" OR 58 CM IN CIRCUMFERENCE

MATERIAL:

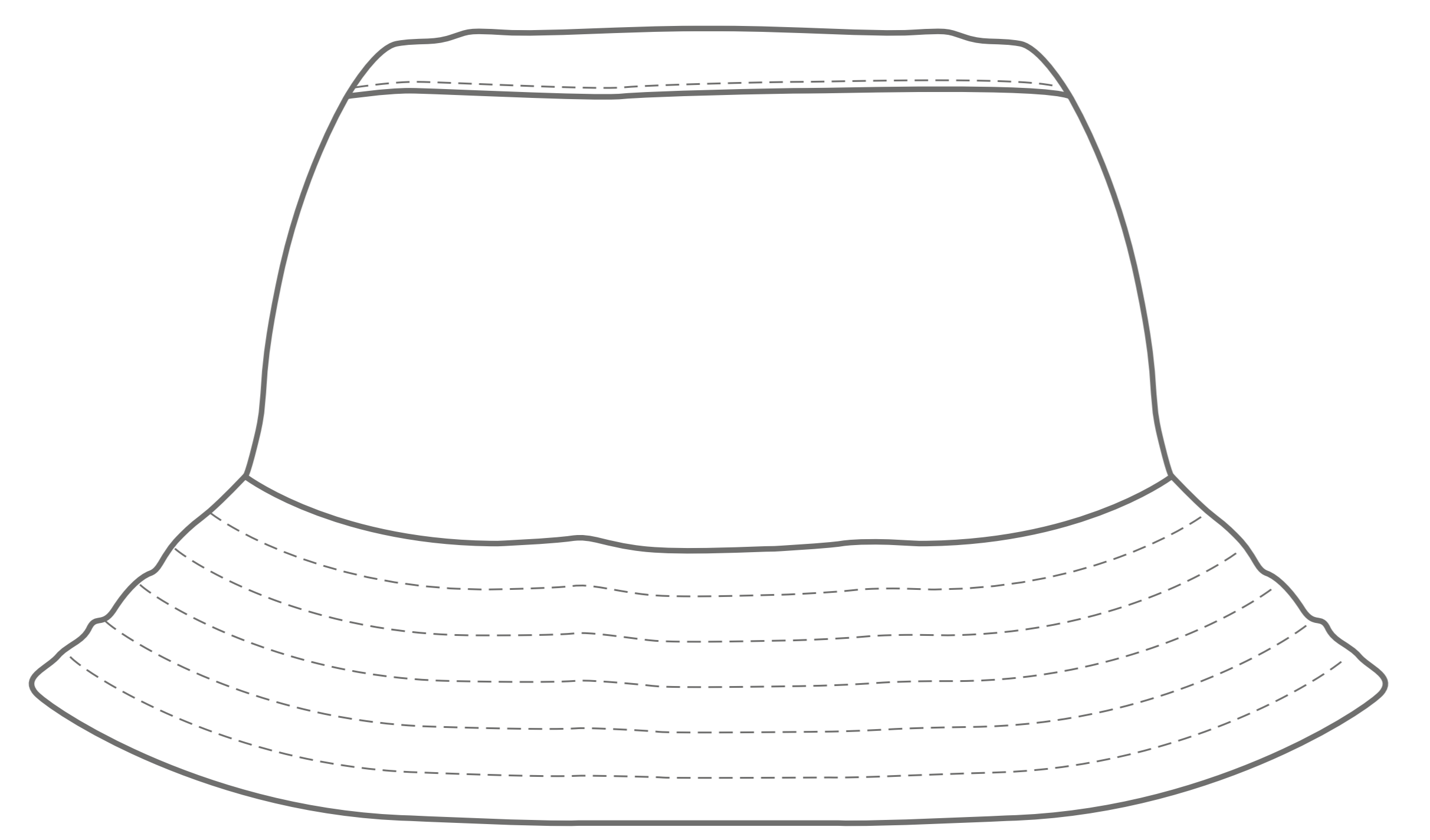
WHITE

IMPRINT:

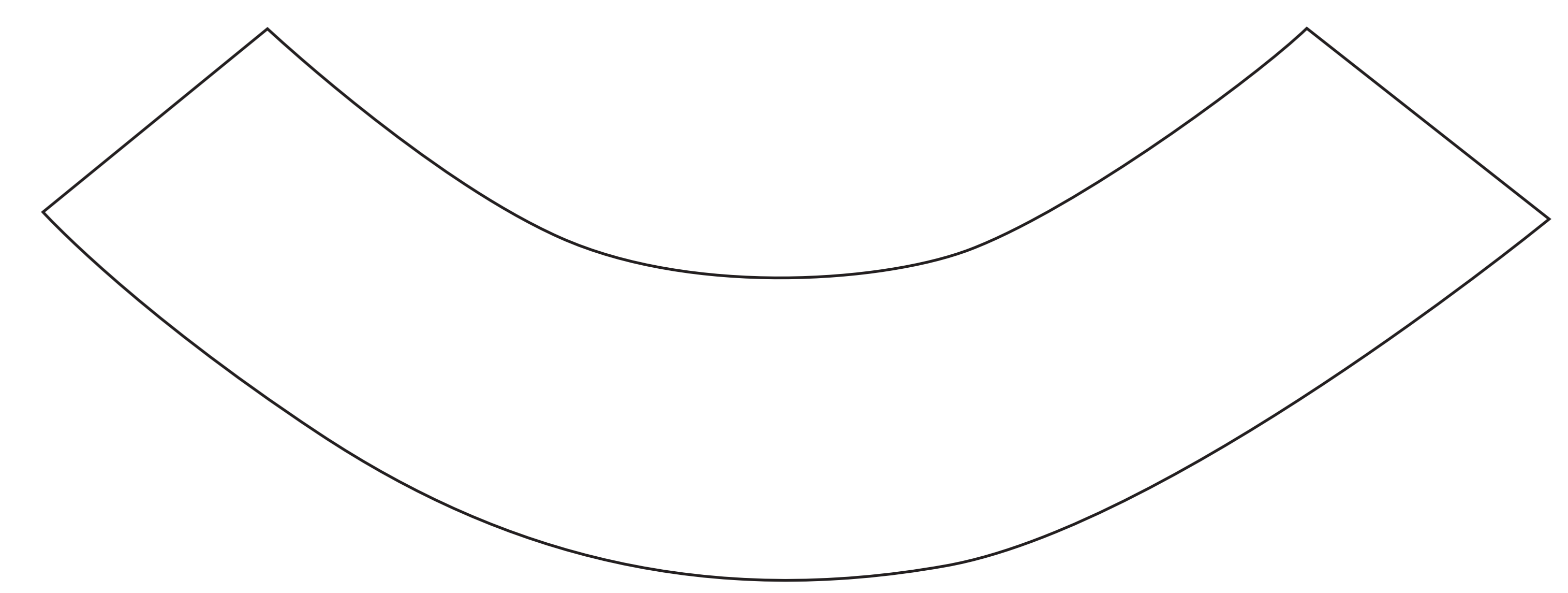
FULL COLOR

PMS

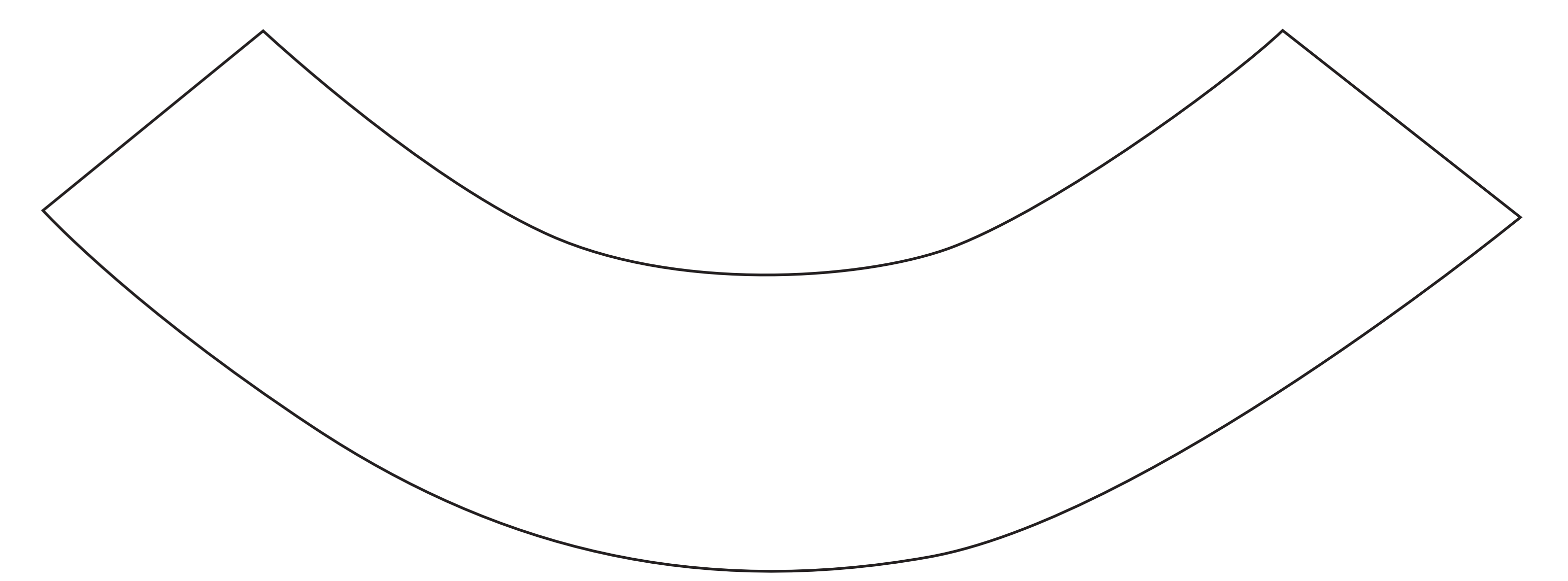
SIDE 1



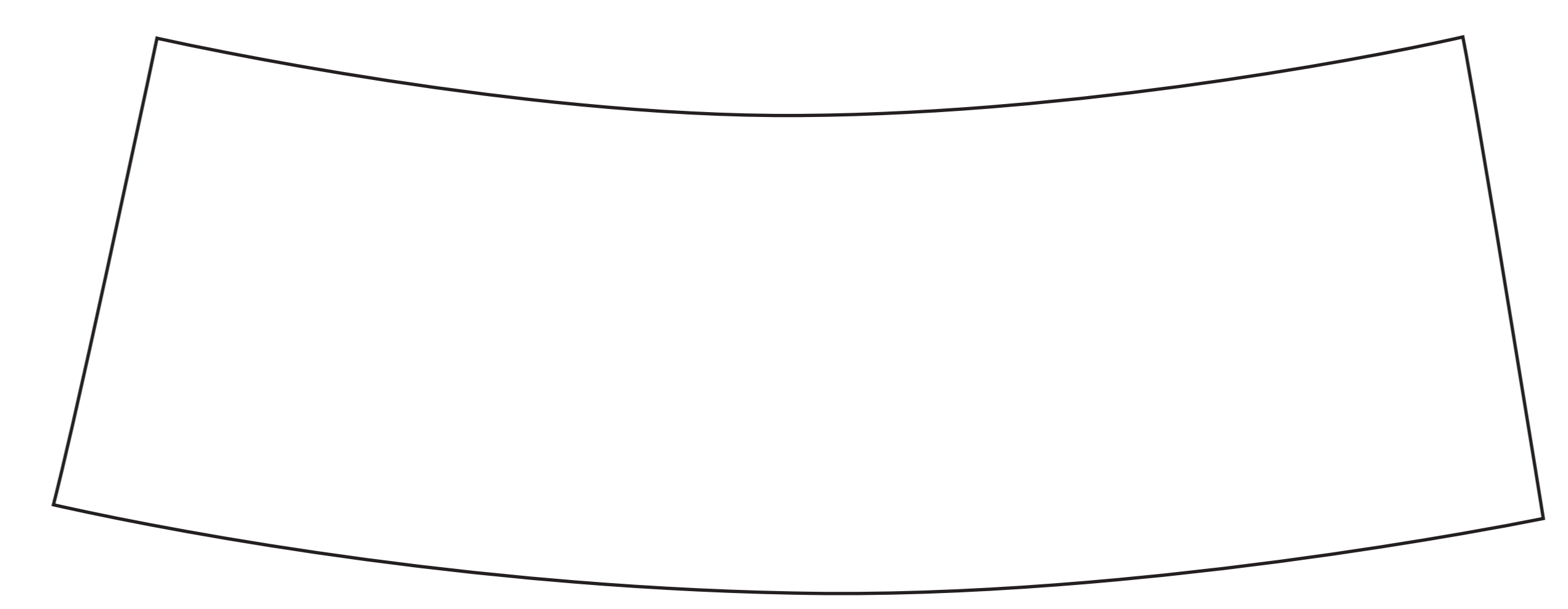
SIDE 1 BRIM



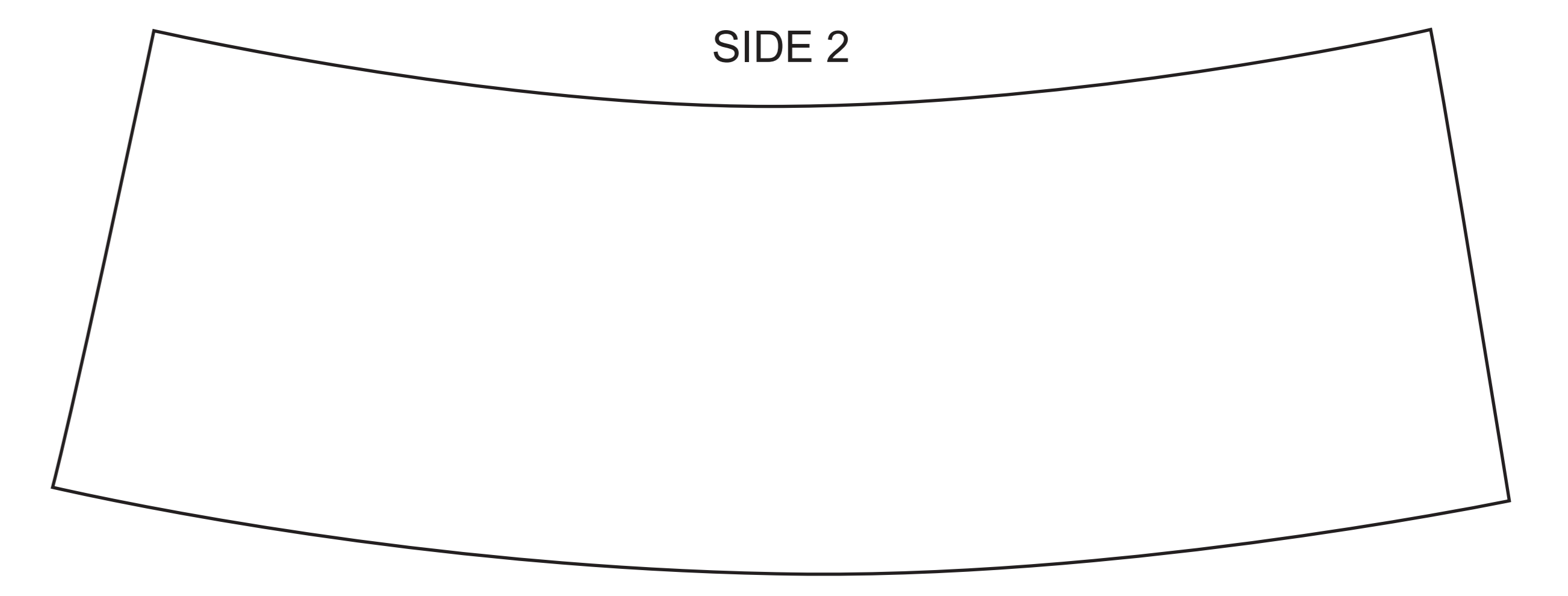
SIDE 2 BRIM



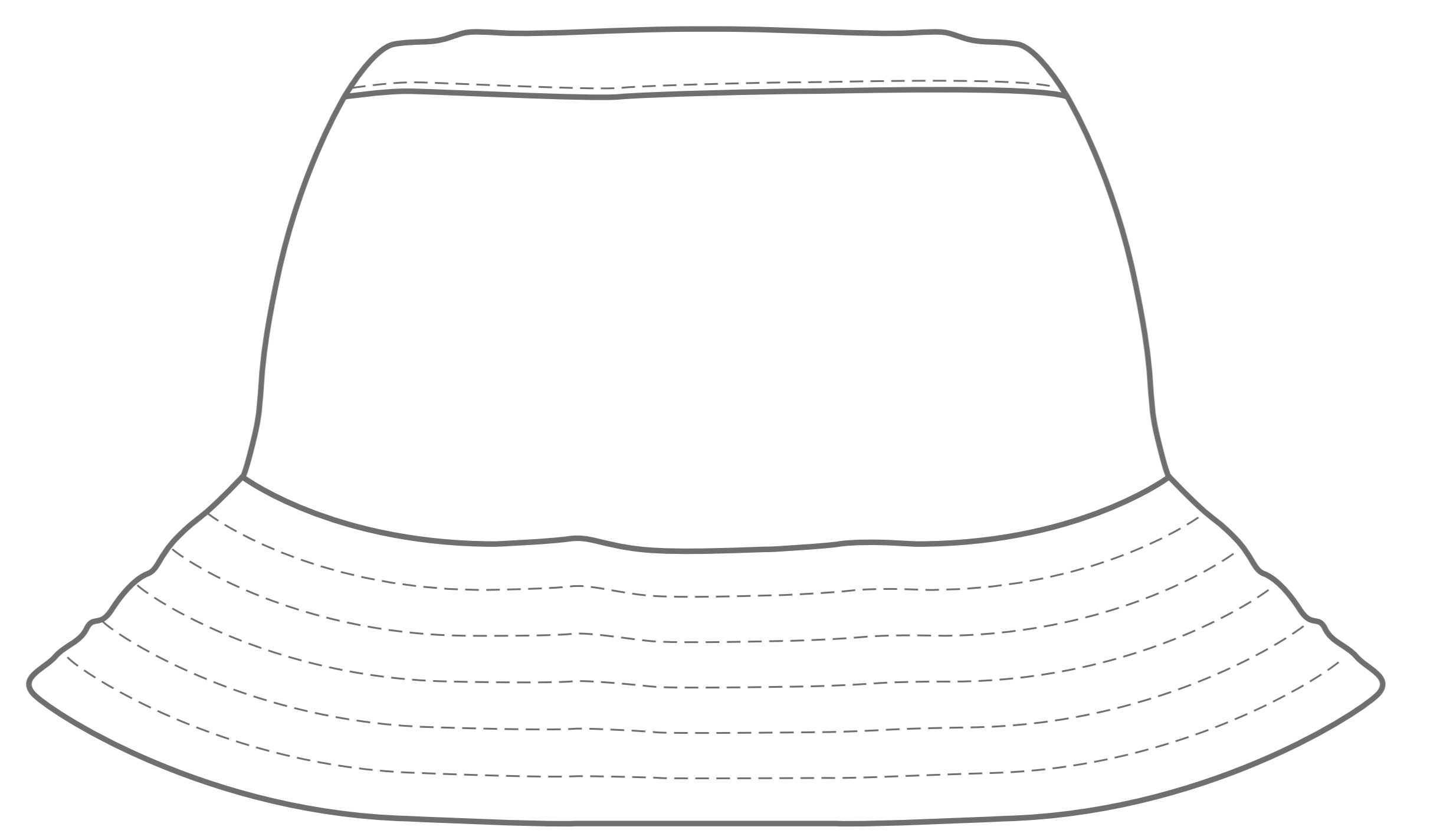
SIDE 1



SIDE 2



SIDE 2



TOP

