

ORDER #

PO #

BUCKET HATS (REVERSIBLE WITH UPGRADED BRIM)

#BUC-100

MATERIAL: POLYESTER

IMPRINT METHOD: DYE SUBLIMATION

SIZE: ADULT SIZE - ONE SIZE FITS MOST

EXTERIOR

MATERIAL:

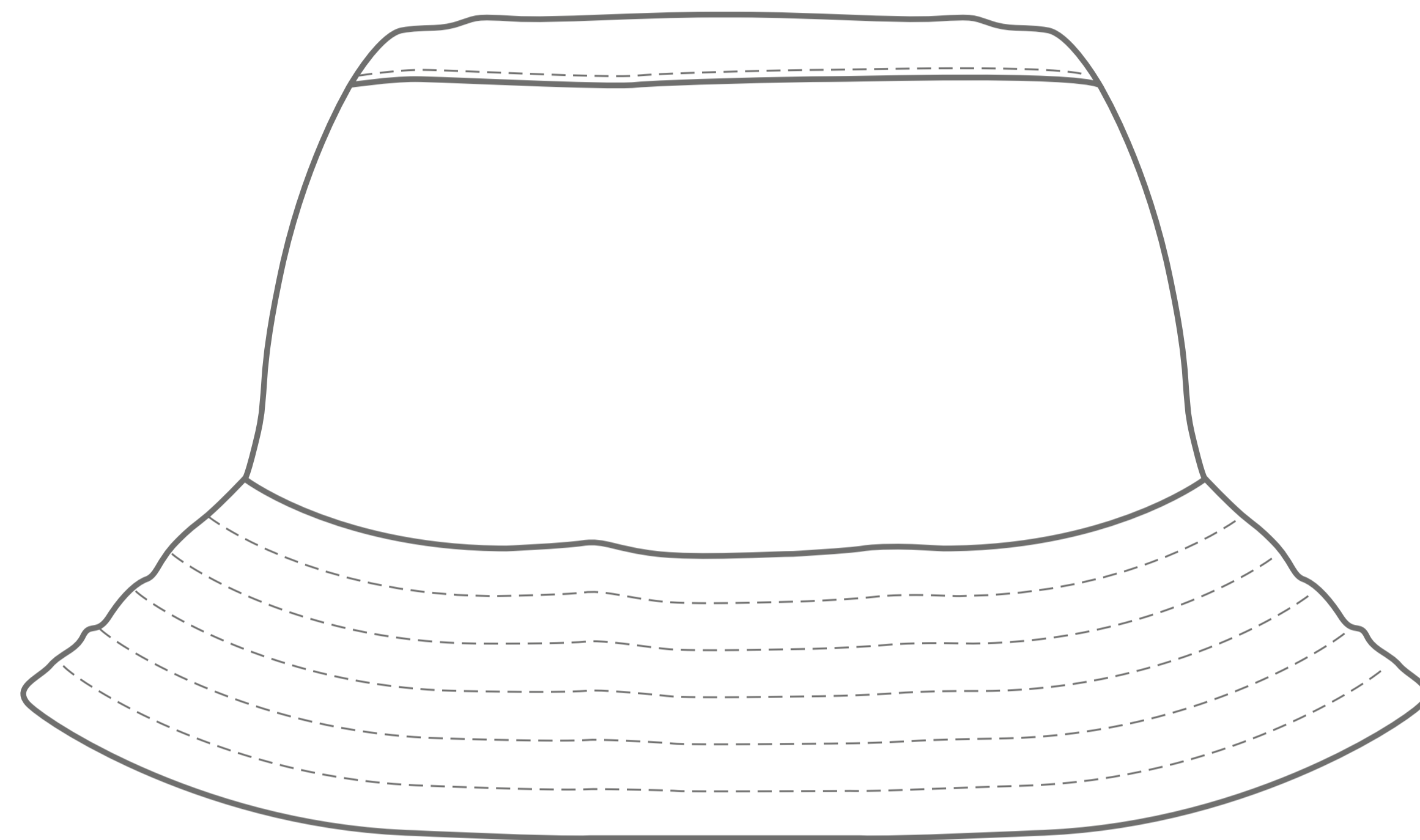
WHITE

IMPRINT:

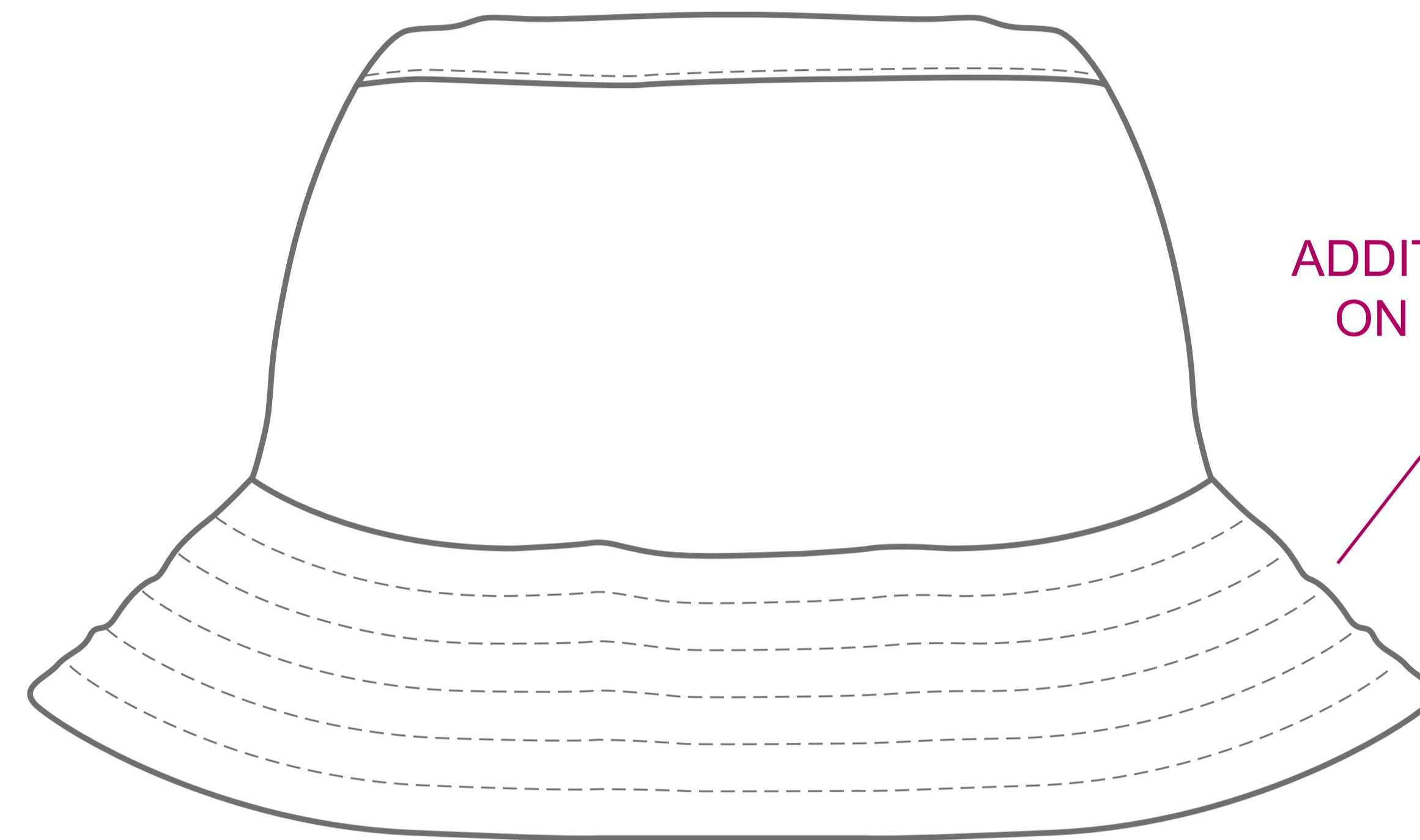
FULL COLOR

PMS

EXTERIOR SIDE 1



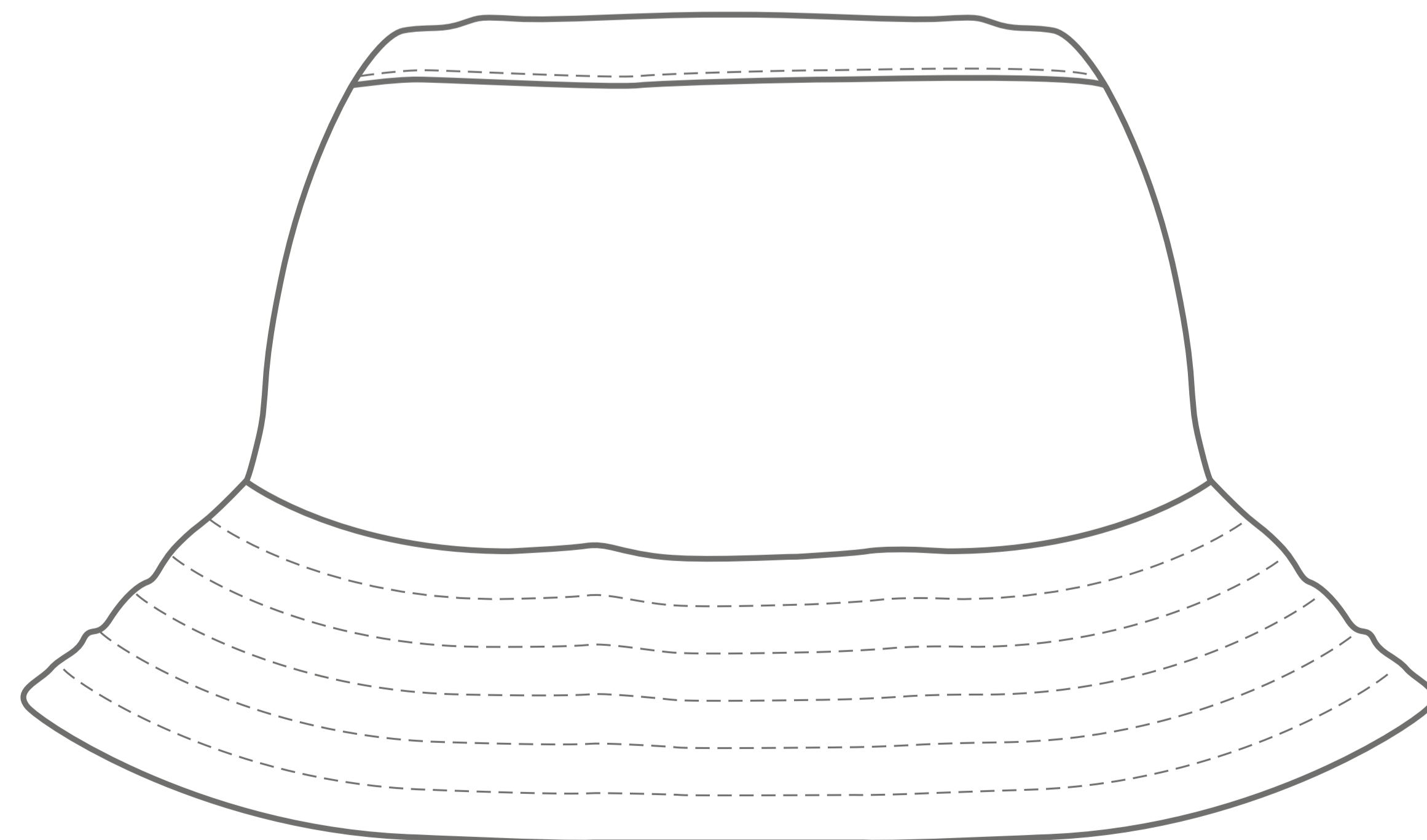
EXTERIOR SIDE 2



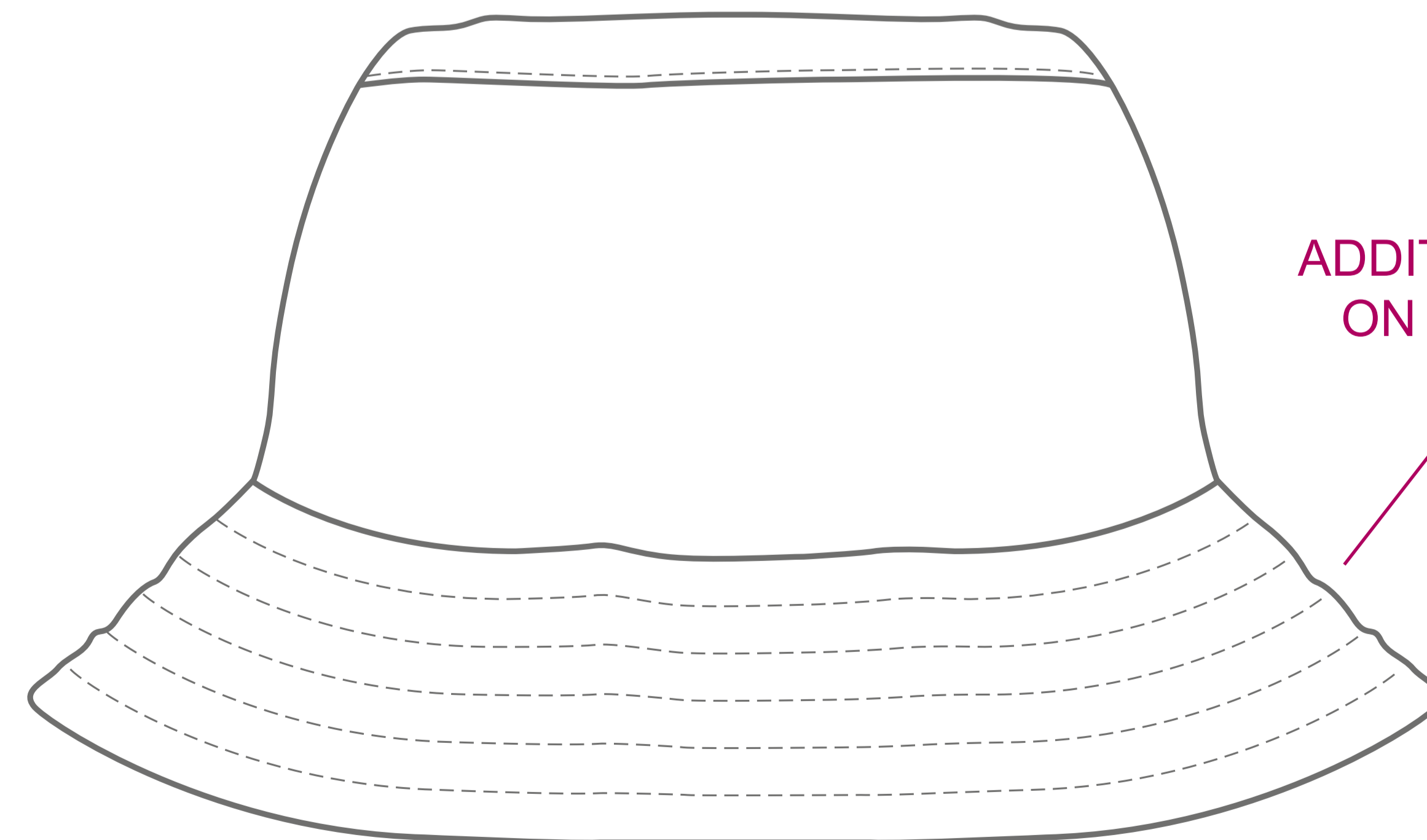
ADDITIONAL STITCHING
ON UPGRADED BRIM

INTERIOR

INTERIOR SIDE 1



INTERIOR SIDE 2



ADDITIONAL STITCHING
ON UPGRADED BRIM

*BASIC STYLE IS NOT LASER CUT, SO LOGOS MAY CUT OFF AT SEAM